



2024

Open - aXess



QUICKSILVER®

Contents

Introduction	4
The Smart Edition	5
805 Open	8
675 Open	14
605 Open	20
555 Open	26
505 Open	32
455 Open	32
525 aXess	40
475 aXess	46
Model Specifications.....	52





**Count the moments.
Life is now.**



THE QUICKSILVER RANGE PERFECTLY BLENDS FUN AND STYLE WITH PRACTICALITY AND SAFETY

The water awaits.

Destined to delight your senses, Quicksilver Boats combine style that ignites your passion for adventure with the confidence of exceptional design. Set out to explore from sunrise to sunset with friends and family – limited only by your imagination.

Chart your course where you feel like you belong, at the helm with all the tech you want and none of the clutter. Treat yourself and your loved ones to comfort-focused cockpits and cruise-ready hulls designed by experienced naval engineers.

Take the plunge.

Live in the moment with a Quicksilver Boat, brought to you by the Brunswick Boat Group.

SMART EDITION: THE BEST WAY TO GET THE OPTIONS YOU NEED

People are different.

So why should every boat be the same?

We have designed our boats for optimal use, but we know that everyone has their own preferences. That's why we are introducing the Smart Edition.

The Smart Edition gives you what you need: a variety of option sets that are most frequently requested by our customers. So you can be sure you get the options you want.

In addition to all of that you save an average of 10% when compared to ordering options separately and this edition is probably already available at your local dealer right now.



Welcome to the Open Range

Escape the ordinary and embrace every moment. Discover your love of boating in the Quicksilver Open range with vessels designed for maximum enjoyment. Ideal for time spent with friends and family for unbridled exploration, watersports, and dashing from spot to spot, the Open range gives you the power to play however you want with a full view from the central helm.

Let your mind drift away as you relax on the fore sun lounge, or nibble on a snack for an impromptu picnic on the water. Pass from cockpit to bow obstruction-free, safe for all with high freeboard. And on models with a cabin below deck, get changed into your swimsuit out of sight.





Length Overall
7,30 m



Beam Overall
2,55 m



Fuel Capacity
280 l



Max Power (HP/kW)
300/221



CE Category
C10

805 Open

ESCAPE THE EVERYDAY

Get the most out of every outdoor experience, whether on your home lakes and rivers or at sea, aboard the all-new Quicksilver 805 Open. Cruise coastal waters comfortably with up to nine people with versatile seating, deep freeboard, and the widest cabin in its class. Make every voyage an adventure with versatile features to create an entertaining space, an on-the-water oasis, or a fisherman's ideal setup. Leave your worries at shore, cruising in comfort for hours on end, powered by single-engine configurations of up to 300hp.



SAFETY

Walk from stern to bow confidently on sure-footed Gatorstep flooring and a firm grip on handrails. The deep cockpit is ideal for a family of any age to keep everyone secure. Access to the water or dock is simple and safe with port and starboard transom doors.

DESIGN

Sweeping lines make for an athletic silhouette for the 805 OPEN, and it's more than just for appearance. This craft is perfectly suited for all-day cruising whether you're seated at the double helm behind the tall windscreen or in the bow or cockpit. The intentional design makes space for conveniences like a single berth with a sliding marine toilet and an entertainment center in option.

COMFORT

Find your happy place anywhere on deck. Move around the center console on both sides from bow to stern, and get comfortable on luxurious dual captain's chairs with flip-up bolsters, the fold-down cockpit bench, or the convertible foredeck sunlounge with backrests. When it's time for a snack, the optional galley is ideal, complete with a freshwater sink.

VERSATILITY

Take the family for a fun cruise after a long workday, then quickly convert it to a fully-equipped fishing vessel for a Saturday voyage with friends. Switch from cockpit seating to a sunlounge in seconds, and use the cabin for out-of-the-sun seating or a private area to nap. Whether you're into exploring the archipelagoes, touring port cities, or catching fresh dinner, the 805 OPEN is built for versatility.



Scan the QR-code to visit our
online configurator

Key features

1. Spacious helm with available 12" screen
2. Two Entertainment Center options
3. Convertible bow area
4. Available Fish Pack with T-Top
5. Deep, configurable cockpit
6. Center console with stylish windshield





6

3

1

2



QUICKSILVER







Length Overall
6,66 m



Beam Overall
2,55 m



Fuel Capacity
200 l



Max Power (HP/kW)
225/165



CE Category
C8

675 Open

THE COMPLETE PACKAGE

The 675 Open's sportive and dynamic design makes heads turn. Hit the water with a group of maximum 8 people and explore all of the boat's features. A Mercury engine with up to 225 HP makes sure you'll get off to a fast start. There's also a Smart Edition available that offers you the 675 Open's most popular options in one attractively priced pack.



SAFETY

On the water, a powerful Mercury engine guarantees safe and agile navigation. On the boat, move around confidently with high freeboard and focused paths. A pivoting backrest leading to large swim platforms with an integrated swim ladder makes getting out of the water as effortless as jumping in.

COMFORT

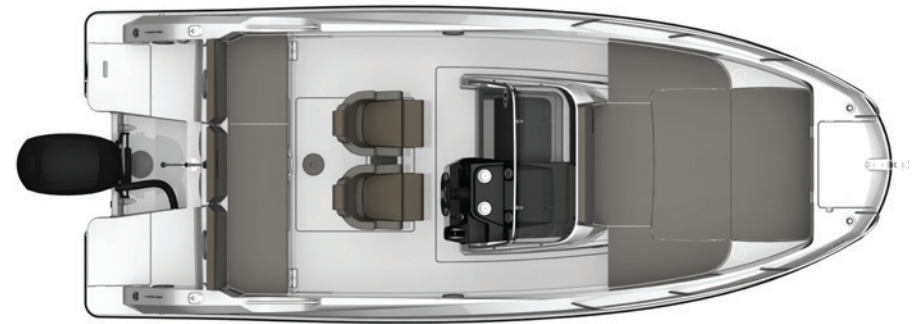
The swiveling, bolstered seats come with new fiberglass seat pedestals for improved comfort. The helm boasts integrated cup holders, a storage tray and a mounting space for a 7" GPS/Chart Plotter. A pivoting backrest allows unobstructed access to the swim platforms, and on the bow, you'll find an integrated anchor/line locker with an optional electric windlass.

VERSATILITY

The 675 Open has been designed with your favorite outdoors activities in mind such as cruising, light fishing or water skiing. The spacious bow also converts into a sun lounge and a dining area, table for 4 and integrated cup holders included. Thanks to the pivoting pilot seats, have a relaxed chat gathered in the cockpit area. A compact cabin offers shelter and is ideal for taking a nap.

STORAGE

The 675 Open offers storage underneath the bow seating. There's also dedicated storage for the ski pole, the stern navigation light and the sun lounge extensions. Personal belongings and other small items go in the storage underneath the aft seat. And of course, there is a fully integrated bow anchor and line locker.



Scan the QR-code to visit our
online configurator

Key features

1. Quick and simple bow conversion from dining to sun lounging
2. Stylish and ergonomic bicolor helm with integrated cup holders, storage tray and mounting space for a 7" GPS/ Chart Plotter
3. Pivoting pilot and co-pilot seats for dining and socializing
4. Cabin provides sleeping space for one person or child
5. Easy and unobstructed access to and from the swim platforms via a pivoting backrest
6. Engine configuration up to max 225 HP





2

4

1

675 OPEN



QUICKSILVER[®]







Length Overall
5,95 m



Beam Overall
2,40 m



Fuel Capacity
160 l



Max Power (HP/kW)
150/110



CE Category
C7

605 Open

FUN PACKED

The 605 Open is a born to please. It takes up to 7 people out for a full day of fun. The boat was designed with comfort, ergonomics and functionality in mind, turning the deck into the best possible place to spend some time off relaxing or fishing. A Mercury engine with up to 150 HP ensures safe navigation and a list of options adds even more to the fun on the water.



SAFETY

High freeboard and the ease of circulation promises safety aboard, even for kids and seniors. But you probably prefer swimming to walking, so a pivoting backrest provides smooth access to the large swim platforms. There, you'll also find an integrated swim ladder. You choose dive in right away or stick to the gradual approach, step by step.

COMFORT

The cockpit offers a pivoting backrest, allowing easy and unobstructed access to the swim platforms. Also, the 2 swivel seats allow the pilot and the co-pilot to turn and join in on a conversation. The optional cockpit shower lets you freshen up after a swim. For the driver, the bicolor helm has cup holders, a storage tray and a mounting space for a 7" GPS/Chart Plotter.

VERSATILITY

The spacious bow seating area transforms into an extended sun lounge within seconds. After soaking up the sun, an exterior table turns that same bow into a fancy dining setting for up to 4 adults. At the back, the cockpit area is another great place to socialize, thanks to the pivoting pilot seats. The ski pole will also win over any water sports enthusiast.

STORAGE

The 605 Open's storage capacity is plentiful. On the bow, console storage holds the exterior table and the cushions. A laminated teak step in the console makes it easy to access the lower storage area as well. Other accessories, like the ski pole, the stern navigation light and the sun lounge extensions, also go in a dedicated storage space.



Scan the QR-code to visit our
online configurator

Key features

1. Versatile bow area convertible to dining
2. Secure feeling for adults and children with high freeboard and ease of circulation
3. Large swim platforms for safe and easy access in and out of the water
4. Stylish and ergonomic bicolor helm with integrated cup holders, storage tray and mounting space for a 7" GPS/ Chart Plotter
5. Versatile bow area convertible to extended sun lounge option
6. Pilot & co-pilot bucket seats with flip bolster and swivel, pivoting seats and optional bimini





4

5

1

2



QUICKSILVER[®]







Length Overall
5,47 m



Beam Overall
2,29 m



Fuel Capacity
110 l



Max Power (HP/kW)
115/84,6



CE Category
C6

555 Open

WINNER ON THE WATER

The 555 Open is an ideal boat for fishing trips and a relaxing day's out. It welcomes up to 6 people aboard and heads for the water with a powerful Mercury engine with up to 115 HP. The boat's sleek design and smart use of space has something for everyone. Bring out the whole family and be assured by its safety features, features and comfort. And there's more. The Smart Edition combines the boat's most popular options in one affordable pack.



SAFETY

Safety begins with agile navigation. With a single outboard Mercury engine (up to 115 HP), the 555 Open is up for that task. A slightly tinted windshield helps the driver to keep a clear view. Access to the boat and to the water is smooth and safe with entry from the bow and large swim platforms at the stern.

COMFORT

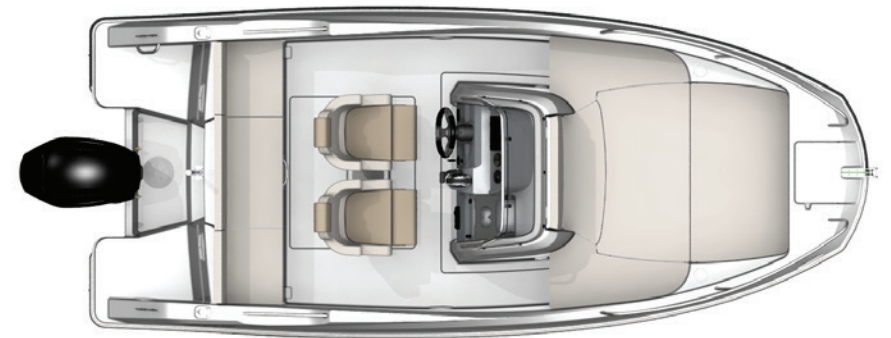
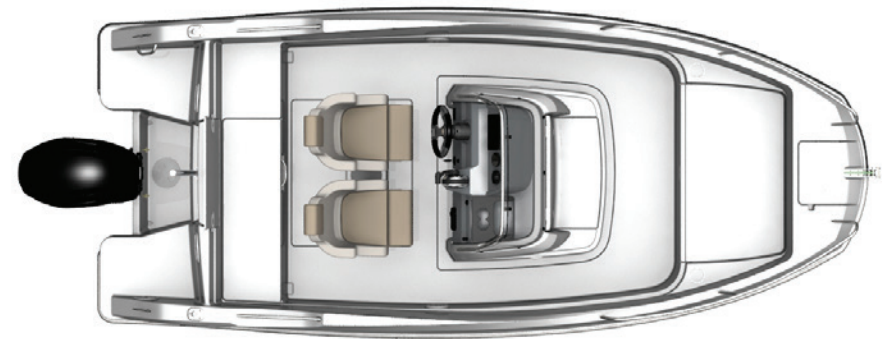
On the 555 Open, comfortable bolstered and swivel seats for pilot and co-pilot make it the place to be. The bicolor helm features cup holders, a storage tray and space for a 7" GPS/Chart Plotter. A footrest completes the set-up. At the back, a reclining seat optimizes cockpit space and makes it possible to tilt the engine entirely.

VERSATILITY

The 555 Open is versatile from front to back. The bow's sun lounge converts into a dining area with an external table in no time. And once you turn off the engine, give the pivoting pilot seat a spin to and join in on the conversation. Unless you prefer sports, of course, in which case, mount the ski pole and have fun.

STORAGE

There's dedicated storage for the ski mast, the navigation light and the sun lounge extensions. Personal belongings can be stored safely underneath the seats. On the bow, there's access to console storage, even with the extended sun lounge deployed. Storage with premium finish inside protects the exterior table and cushions from bad weather conditions.



Scan the QR-code to visit our
online configurator

Key features

1. Versatile bow area convertible to dining
2. Large swim platforms for safe and easy access in and out of the water
3. Stylish and ergonomic bicolor helm with integrated cup holders, storage tray and mounting space for a 7" GPS/ Chart Plotter
4. Secure feeling for adults and children with high freeboard and ease of circulation
5. Versatile bow area convertible to extended sun lounge option
6. Permanent access to console even if bow sun lounge is deployed





1

3

2

6



QUICKSILVER







Length Overall
4,54 m



Beam Overall
1,85 m



Fuel Capacity
25 l



Max Power (HP/kW)
60/44,1



CE Category
C5

455 Open

THE ADVENTURE STARTS HERE

The 455 Open combines all the ingredients for safe cruising in an ultra-modern, versatile and ergonomic package. Step aboard with family and friends and cast off for a smooth and relaxing ride.



SAFETY

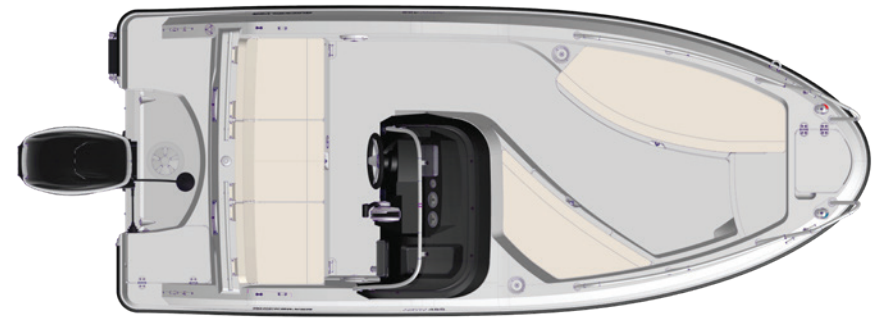
The 455 Open's ultra-modern hull, deep cockpit and unsinkable design make coastal cruising safe for all. The boat is packed with design features such as anti-slip flooring and easy-grip railing to ensure the safest possible ride. Easy and secure access to the boat is ensured through the convenient swim platforms that serve as step into the boat. Responsive controls and easy-to-read instrumentation make navigation effortless.

COMFORT

Despite its compact size, the interior feels spacious and is easy to move around. The cushions have a modern design and are made of enjoyable fabrics and are easily stored onboard. Outside the water the 455 Open requires very little maintenance due to the use of quality materials and fabric. Its light design and secure hooks make transportation almost as easy out of the water as in.

DESIGN

There are dozens of ways to enjoy the water from cruising and bathing to fishing, recreation and transportation, and the 455 Open is equipped for each of them. Its versatile interior, easy access, large bathing platforms and comfortable seating for up to 5 people make it the ideal companion to delight your passengers, whatever their fancy.



Scan the QR-code to visit our
online configurator

Key features

1. Convertible sundeck area
2. Double swim platforms
3. Dashboard and storage tray.
Electronics & stereo
4. Optional bimini
5. Anchor storage
6. Depth of the cockpit guarantee security
for kids and adults when seating or
moving around the boat





6

3

1

5



QUICKSILVER®





Welcome to the aXess Range

Point your bow to the open water and go where your heart takes you. Rediscover your playful side with the free-spirited Quicksilver aXess range. It's the exhilaration of a world with no boundaries, ideal for whatever watersport of pastime you're into. Swing waterskiers around the lake or simply scour the shoreline for a place to beach for the afternoon.

Feel the rush of wind in your face in the bow seating, or have a heartfelt conversation from the uniquely U-shaped cockpit. And with customizable accessories that ensure you have all the equipment you want and none you don't, the aXess range promises to be money well spent.





Length Overall
5,35 m



Beam Overall
2,29 m



Fuel Capacity
68 l



Max Power (HP/kW)
115/84,6



CE Category
C6

525 aXess

WHERE VERSATILITY AND VALUE INTERSECT

Enjoy the fresh breeze tugging at your hat with friends and family all around. Slalom your favourite lake or river with commanding performance and effortless handling in the 525 aXess. Whether you're towing wakeboarders or dashing from port to port, the 525 aXess is the perfect size for amateur and novice alike with amazing value in standard features.



SAFETY

Navigate any water conditions as the aXess range's sporty M-hull design gets you up on plane faster, and self-guides your boat back onto the trailer as well. After a swim, get back on deck courtesy of a platform beside the motor, and cross the deck confidently with durable GatorStep Flooring. Head out on the water with a fire extinguisher, mooring kit, and 12v horn as standard equipment.

COMFORT

Though just 5,25 meters in length, the Quicksilver 525 aXess provides all-day comfort. The open deck space is due to the beam-forward design, allowing full-width seating. Both the captain and first mate can sit protected behind the standard full windshield, with or without the Bimini top deployed. Enjoy time with loved ones as the 525 aXess carries up to six people on board.

VERSATILITY

The perfect size to be nimble while large enough to tow adult waterskiers, the 525 aXess appeals to the all-around boater. A day tracking down a dinner of fresh fish is possible with plenty of deck space. Confidently navigate with a speedometer, tack, trim, and fuel gauges and available Simrad GO7 and hydraulic steering.

STORAGE

Keep your gear clean and dry, stashed away in the many storage locations. Ensure you and your passengers are sure-footed on deck with vast storage available under every seat for clothes, ropes, and a small cooler, including a spot just for the mooring kit. Are you dropping anchor? The bow roller keeps your line neat and tidy.



Scan the QR-code to visit our
online configurator

Key features

1. Great comfort with standard sun lounge in bow section, bimini and cockpit flooring
2. Rear facing seats & back cushions with flooring. Multiple engine configuration from 60 up to 115 HP
3. Simple, intuitive controls at the helm with optional hydraulic steering, 7" GPS/chart plotter and standard stereo, 12v and USB outlet
4. U-Shape style seating configuration of the cockpit, optimized for socializing
5. Deep storage below seating
6. M-Hull foundation offers better stability and predictable handling





525 aXess

MERCURY

6

2

4

1



QUICKSILVER®







Length Overall
4,62 m



Beam Overall
2,01 m



Fuel Capacity
45 l



Max Power (HP/kW)
60/44,1



CE Category
C5

475 aXess

BIG FUN IN A COMPACT PACKAGE

Cruise your favourite waterway or get the family started in watersports. The Quicksilver 475 aXess is a vessel that's small in size yet brings out massive smiles. Feel the air on your face with this open-cockpit boat comes that well equipped for the entry-level boater, and the 475 aXess offers even more value with popular extras available.



SAFETY

Open and airy, the 475 aXess keeps everyone safe with high freeboard. Swimmers and watersports lovers alike can easily get aboard with the swim platform. Enjoy stability and a shallow draft with the M-hull design that also makes trailering a breeze. Walk around deck easily with GatorStep flooring, and a portable fire extinguisher, mooring kit, and horn make every trip worry-free.

COMFORT

No need to leave anyone at the dock as the 475 aXess comfortably seats five. An optional ski mast turns a pleasure cruise into the thrill of a lifetime for waterskiers and tubers while everyone listens to their favorite music on the included stereo and integrated speakers. When the sun gets a little too warm, relax in the shade of the standard Bimini top.

VERSATILITY

Comfortable and capable on rivers, lakes, and coastal areas, this boat is well-suited for novice and experienced boaters. Navigate with a wide-open panoramic view, aided by mechanical steering or upgraded hydraulic steering. Captain this vessel like a pro with speedometer, tachometer, and trim gauges all standard at the helm, and engine options up to 60 HP.

STORAGE

Thoughtfully designed to keep the deck organized, the Quicksilver 475 aXess maximizes every nook and cranny for storage. Pack a small cooler for a picnic or a change of clothes for a stop in port, all easily secured in underseat storage compartments. And when you're done for the day, protect the cockpit and interior with the optional mooring cover.



Scan the QR-code to visit our
online configurator

Key features

1. Spacious deck layout with convertible sun lounge in bow section
2. M-Hull foundation offers better stability and predictable handling
3. Simple, intuitive controls at the helm with optional hydraulic steering, and standard stereo, 12v and USB outlet
4. Large bimini top provides exceptional shade
5. Large swim platforms for safe and easy access in and out of the water
6. Molded-in storage and cupholders and standard cockpit flooring





3

6

1

2



QUICKSILVER[®]





Model Specifications



	805 Open	675 Open	605 Open	555 Open	455 Open
Length Overall (M)	7,30	6,66	5,95	5,47	4,54
Length Overall Max with Options (M)	7,66	7,16	6,46	5,84	4,54
Length of Hull (M)	6,99	6,45	5,75	5,29	4,44
Beam Overall (M)	2,55	2,55	2,40	2,29	1,85
Height - Without Canvas (M)	2,20	2,10	2,00	1,83	1,61
Dry Weight (Kg)	1.684	1.084	904	722	401
Draft Hull (M)	0,44	0,41	0,38	0,36	0,36
Fuel Capacity (L)	280	200	160	110	25
CE Design Category	C	C	C	C	C
Maximum Number of People	10	8	7	6	5
Maximum Power (HP)	300	225	150	115	60
Maximum Power (kW)	221	165	110	84,6	44,1
Water Capacity (L)	80	45	45	-	-
OB Shaft Length	XL	XL	XL	L	L
Maximum Load (Kg)	820	690	587	495	422

	805 Open	675 Open	605 Open	555 Open	455 Open
	✓	✓	✓	✓	
Bimini	-	-	X	X	-
Stereo Fusion with 2 speakers	-	X	X	X	-
Bow Cushions	-	X	X	X	-
Bow Table	-	-	X	X	-
Convertible Bow Sun Lounge	X	X	X	X	-
Cockpit Cushions	-	-	-	-	-
Upgraded Cockpit Table	X	X	-	-	-
Real teak bow table	X	-	-	-	-
Cockpit Shower	-	X	X	-	-
Berth Cushions/Filler & storage with LED lighting	X	-	-	-	-
Ski Pole	-	X	X	X	-
Bow Electrical Windlass	X	X	-	-	-
Starboard Flip Seat	X	-	-	-	-
Port Flip Seat	X	-	-	-	-
Bow backrest cushions	X	-	-	-	-
Mooring Kit	X	X	X	-	-

Model Specifications

	805 Open	675 Open	605 Open	555 Open	455 Open
Fish Pack	✓				
Fishing Entertainment center	X	-	-	-	-
White hull with special Fishing edition hull wrap	X	-	-	-	-
Black bow/windshield/freeboard deck trail rails	X	-	-	-	-
Raw water washdown	X	-	-	-	-
Electronic Pack 9"	✓				
Simrad GPS/Chart Plotter 9" NSS evo3s with HDI Transducer	X	-	-	-	-
Stereo Fusion with 4 speakers	X	-	-	-	-
VesselView Link digital interface	X	-	-	-	-
Electronic Pack 12"	✓				
Simrad GPS/Chart Plotter 12" NSS evo3s with HDI Transducer	X	-	-	-	-
Stereo Fusion with 4 speakers	X	-	-	-	-
VesselView Link digital interface	X	-	-	-	-



	525 aXess	475 aXess
Length Overall (M)	5,35	4,62
Length Overall Max with Options (M)	5,35	4,62
Length of Hull (M)	5,12	4,53
Beam Overall (M)	2,29	2,01
Height - Without Canvas (M)	1,42	1,17
Dry Weight (Kg)	736	515
Draft Hull (M)	0,25	0,26
Fuel Capacity (L)	68	45
CE Design Category	C	C
Maximum Number of People	6	5
Maximum Power (HP)	115	60
Maximum Power (kW)	84,6	44,1
Water Capacity (L)	-	-
OB Shaft Length	L	L
Maximum Load	481	422

Standard features

Bimini	STD	STD
Stereo Fusion with 2 speakers	STD	STD
Bow Cushions	STD	STD
Cockpit Cushions	STD	STD
Convertible Bow Sun Lounge	STD	-
Mooring Kit	STD	STD

Mercury Engine Option

Mercury F40	-	X
Mercury F50	-	X
Mercury F60 / F60 CT	X	X
Mercury F80	X	-
Mercury F100 / F100 CT	X	-
Mercury F115 / F115 CT	X	-



Engine Specifications



Choose among our vast range of robust and powerful Mercury, Mercury Mercruiser or Mercury Diesel engines, the most appreciated of all time. You'll have the very best and most up-to-the-minute engine power to take your boat out to enjoy the delights of the water. Moreover, you will benefit from a national and international network of dealers for service.

Additionally, a five-year warranty programme is applicable for all eligible Mercury outboard engines*. The programme will be offered to owners of new Mercury outboard engines**. The warranty applies to Mercury Verado® and FourStroke engines purchased in Europe, the Middle East, Africa and the CIS region.

	805 Open	675 Open	605 Open	555 Open	455 Open
Mercury F40	-	-	-	-	X
Mercury F50	-	-	-	-	X
Mercury F60 / F60 CT	-	-	-	-	X
Mercury F80	-	-	-	X	-
Mercury F100 / F100 CT	-	-	-	X	-
Mercury F115 / F115 CT	-	-	X	X	-
Mercury F150	-	X	X	-	-
Mercury 175 V6	X	X	-	-	-
Mercury 200 V6	X	X	-	-	-
Mercury 225 V6	X	X	-	-	-
Mercury 250 V8 Verado	X	-	-	-	-
Mercury 300 V8 Verado	X	-	-	-	-

* Conditions and exclusions apply. ** Provided that all extended warranty conditions are met

QUICKSILVER®

GB - Printed in Belgium. Part #: 90-8MOT12398

© 2024 Brunswick Marine in EMEA. All Rights Reserved.

Brunswick Marine in EMEA continuously explores means to improve the products it designs, manufactures and distributes. Every effort is made to produce sales and service literature which is current. Changes to specifications of engines, boats and accessories are ongoing. This brochure should not be regarded as a precise guide to the latest specifications. This brochure is also not an offer for sales of any particular engine, boat or accessory. Distributors and dealers are not agents of Brunswick Marine in EMEA or one of its affiliates and they have no authority to bind Brunswick Marine in EMEA by any express undertaking or representation, including but not limited to representations of product, sales, applications or service nature. Not all products are available in all countries and some are available only in limited quantities. Some products shown in this catalogue are equipped with optional accessories. Please see your local dealer.

